



Switchgear type RKS5-4/3 for rated voltage 500V



Switchgear type RKS5-4/3 is an electrical device designed for use in the underground mining pits in non-explosive conditions and on the ground.

Switchgear type RKS5-4/3 is designed for connecting and switching on receivers in the 3-phase mine grid with insulated star point on the transformer (system IT) of rated grid voltage of 500V.

The switchgear is designed to supply mining machines, fans and welding machines.

TECHNICAL DATA:

ingress protection	IP54
insulation rated voltage of main circuits	660 V
insulation rated voltage of auxiliary circuits	250 V
supply rated voltage	500V, 50 Hz
maximum outlet load current	acc. to table 1
number of 500 V outlets	4
dimensions	1300 x 900 x 370mm (H x W x D)
weight	65 kg

Table 1

Switchgear type	Maximum outlet rated current [A]				Rated current of clamps from the supply side (Inz) [A]
	Outlets				
	I	II	III	IV	
RKS5-4/3	40	115	40	115	400

CONSTRUCTION

The switchgear housing is made of steel sheets. The whole unit is based by a common support frame. The housing is equipped with brackets that allow for the switchgear to be hung on a chain or to be placed directly on the ground.

MODE OF OPERATION

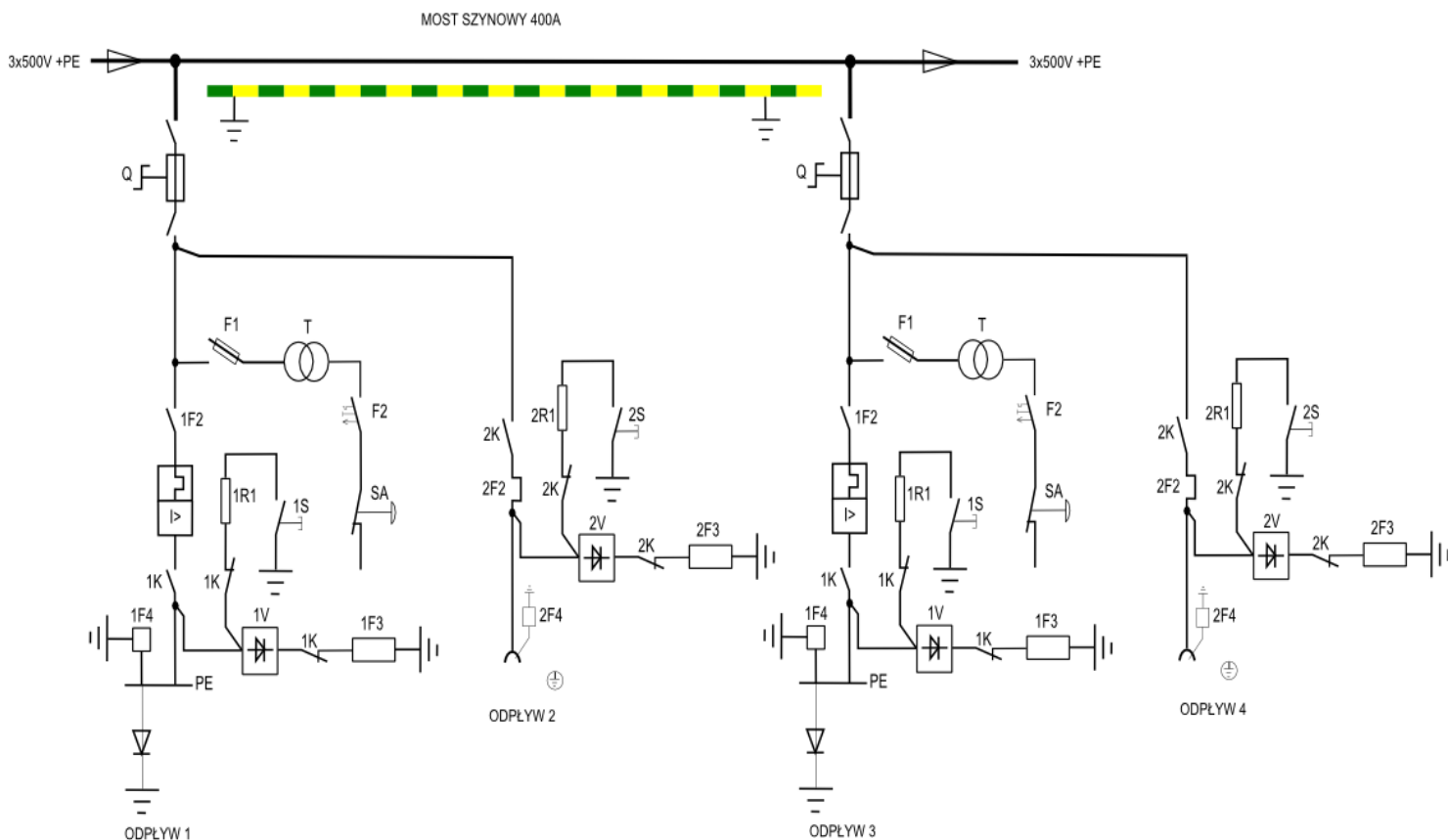
The control of 500 V outlets are carried out with the buttons situated on the face of the switchgear. The switchgear is equipped with power protections against short-circuiting, overloading, lowering insulation resistance and an increasing in earth resistance. The turning-off of the outlets are carried out with control button situated on the face of the switchgear or with the emergency off-button.

SCHEMATIC DIAGRAM

Legend:

Most szynowy 400A – busbar 400A

Odplyw 1,2,3,4 – outlet 1,2,3,4



Orders should be submitted in writing or by fax to the address:

 **Instal-Service PL**

Spółka z ograniczoną odpowiedzialnością
Spółka komandytowa

58-506 Jelenia Góra, ul. Wrocławska 15a

tel. (+48 075) 64-57-950

fax. (+48 075) 64-57-951

e-mail: instal@instal-service.pl